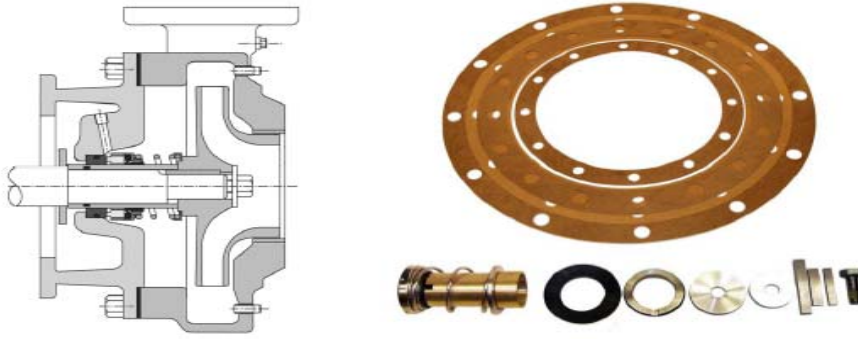


# PEERLESS PUMP SEAL REPLACEMENT KITS

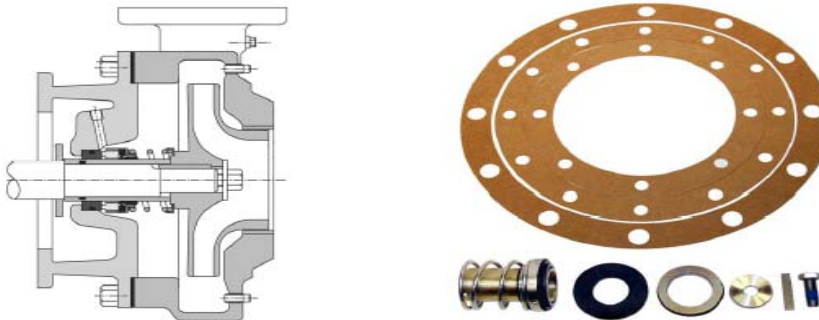


**BSE-3 Seal kit:** Style M (Mechanical Seal)  
Models Series C (Close-Coupled), Series F (Frame-Mounted)

Part #	Net
<b>S-PEERLESS-BSE3-KIT</b>	\$ 148.98

Carbon / Ceramic / Viton is standard, other material combinations are available.

- Complete Kit:
- 5) Gaskets
  - 1) Shaft Sleeve w/ o-ring
  - 1) Mechanical Seal
  - 3) Drive Keys
  - 2) Impeller Washer
  - 1) Impeller Bolt
  - 1) Water Deflector



**BSE-2 Seal kit:** Style M (Mechanical Seal)  
Models Series C (Close-Coupled), Series F (Frame-Mounted)

Part #	Net
<b>S-PEERLESS-BSE2-KIT</b>	\$ 117.06

Carbon / Ceramic / Viton is standard, other material combinations are available.

- Complete Kit:
- 3) Gaskets
  - 1) Shaft Sleeve w/ o-ring
  - 1) Mechanical Seal
  - 1) Drive Keys
  - 1) Impeller Washer
  - 1) Impeller Bolt
  - 1) Water Deflector

All manufacturers' names, part numbers, and descriptions are used for reference purposes only. It is not implied that any part is the product of these manufacturers.